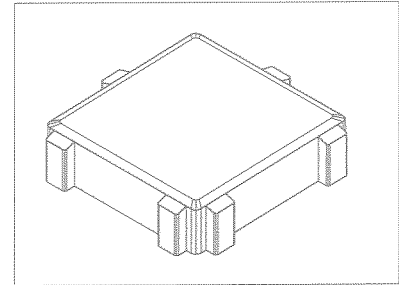
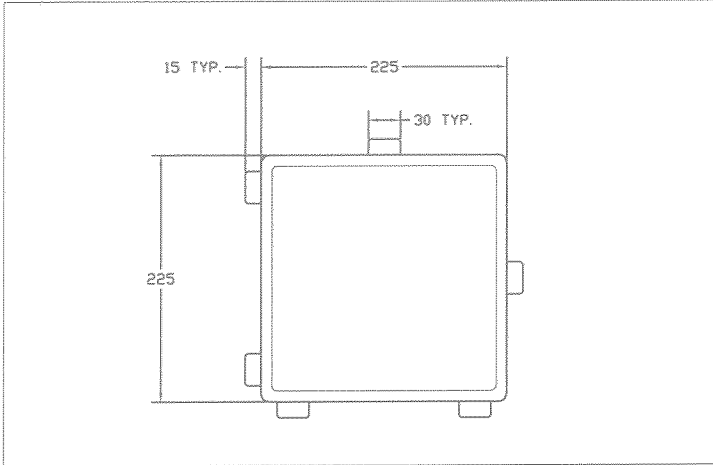


# SF-RIMA

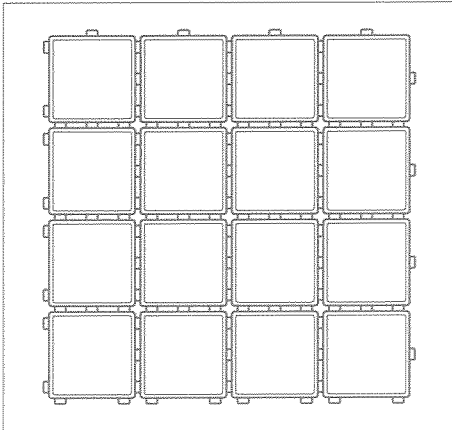
www.expocrete.com



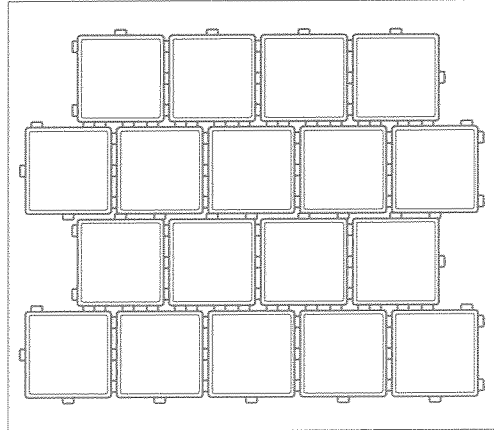
		STONE DIMENSIONS	STONE COVERAGE	STONES/PALLET	AREA/PALLET	PALLET WEIGHT
<b>Drainage</b>	~METRIC~	225x225x80mm	17.36 Stones/sqm.	160	9.216sqm./pallet	1518 kg/pallet
	~IMPERIAL~	9x9x3.15"	1.62 Stones/sqft.	160	99 sqft./pallet	3360 lbs/pallet
<b>Turf</b>	~METRIC~	225x225x80mm	15.5 Stones/sqm.	160	10.32 sqm./pallet	1518 kg/pallet
	~IMPERIAL~	9x9x3.15"	1.44 Stones/sqft.	160	111 sqft./pallet	3360 lbs/pallet

\*All metric dimensions are soft converted to Imperial. Dimensions and coverage includes 1.5mm (  $\frac{1}{16}$ " ) joint.

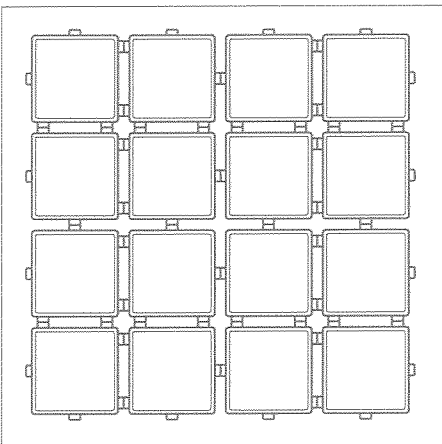
## SAMPLE PATTERNS



Drainage Pattern - Grid



Drainage Pattern - Offset



Turf Pattern